

### Product benefits

Norcool has 30 years of experience developing and manufacturing cooling units.

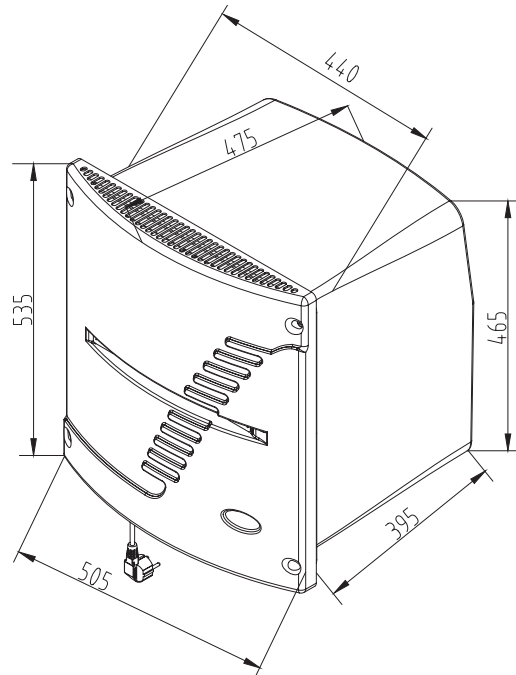
We currently supply compact cooling units, split cooling units, as well as cooling units for wine rooms and wine cellars. The unit is placed in a recess/hole in the wall between the cold room and the room where the warm side of the unit will be placed.

The choice of cooling unit depends on the size of the room, so please contact us for further advice and guidance.

- Thermostat for both food and wine
- Temperature range 2-18°C
- Energy- and eco-friendly
- Digital display and LED lights
- Easy to clean, with service alarm
- Can be connected to external lighting

### Models

Coolmaster CU350 ECO  
**Product code: 12600000**



### Technical data

Dimensions		Temperature		Miscellaneous	
External measurements (mm)	<b>W505 x D475 x H535</b>	Thermostat settings	<b>2-18 °C (standard 5 °C)</b>	Defrosting	<b>Automatic</b>
Wall recess (mm)	<b>W460 x H490</b>	Ambient temperature	<b>16-38 °C</b>	Water overflow system	<b>Connect hose to drainage hose</b>
Weight	<b>28 kg</b>	Energy		Insulation	<b>Polyurethane foam, non-CFC</b>
Power cable length	<b>2.6 m</b>	Maximum output	<b>Max. 400 W</b>	Coolant	<b>R290</b>
Maximum wall thickness	<b>330 mm</b>	Lighting	<b>LED 5 W</b>	Capacity	<b>Up to 5,000 litres</b>
Min. distance to cold side of the ceiling	<b>100 mm</b>	External lighting socket	<b>Max. 20 W LED</b>		
Min. distance to warm side of the ceiling/floor	<b>500 mm / 500 mm</b>	Volts/Hz	<b>220-240 V AC 50 Hz</b>		

### Product benefits

Norcool has 30 years of experience developing and manufacturing cooling units.

We currently supply compact cooling units, split cooling units, as well as cooling units for wine rooms and wine cellars. The unit is placed in a recess/hole in the wall between the cold room and the room where the warm side of the unit will be placed.

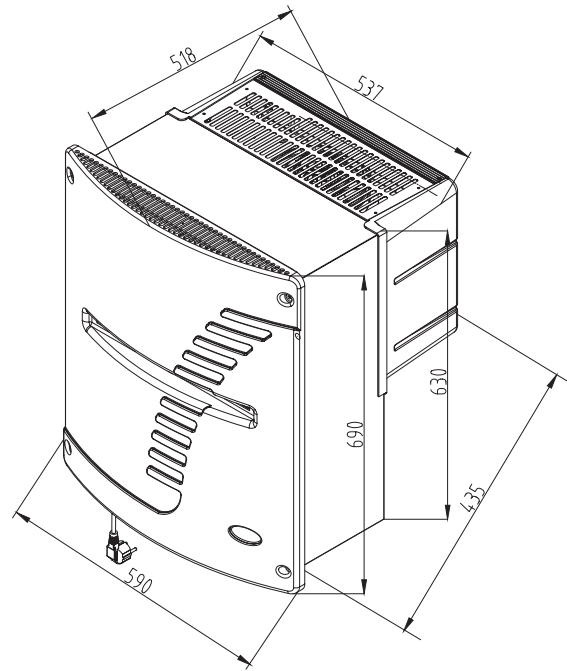
The choice of cooling unit depends on the size of the room, so please contact us for further advice and guidance.

- Thermostat for both food and wine
- Temperature range 2-18°C
- Energy- and eco-friendly
- Digital display and LED lights
- Easy to clean, with service alarm
- Can be connected to external lighting

### Models

Coolmaster CU450 ECO

**Product code: 12600050**



### Technical data

Dimensions		Temperature		Miscellaneous	
External measurements (mm)	<b>W590 x D518 x H690</b>	Thermostat settings	<b>2-18 °C (standard 5 °C)</b>	Defrosting	<b>Automatic</b>
Wall recess (mm)	<b>W550 x H650</b>	Ambient temperature	<b>16-38 °C</b>	Water overflow system	<b>Connect hose to drainage hose</b>
Weight	<b>33 kg</b>	Energy		Insulation	<b>Polyurethane foam, non-CFC</b>
Power cable length	<b>2.6 m</b>	Maximum output	<b>Max. 500 W</b>	Coolant	<b>R290</b>
Maximum wall thickness	<b>230 mm</b>	Lighting	<b>LED 6.5 W</b>	Capacity	<b>Up to 10,000 litres</b>
Min. distance to cold side of the ceiling	<b>200 mm</b>	External lighting socket	<b>Max. 20 W LED</b>		
Min. distance to warm side of the ceiling/floor	<b>500 mm / 500 mm</b>	Volts/Hz	<b>220-240 V AC 50 Hz</b>		

### Product benefits

Norcool has 30 years of experience developing and manufacturing cooling units.

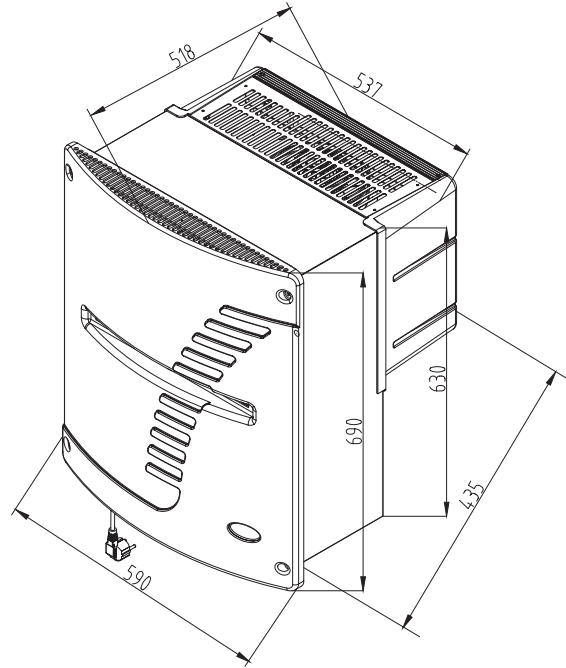
We currently supply compact cooling units, split cooling units, as well as cooling units for wine rooms and wine cellars. The unit is placed in a recess/hole in the wall between the cold room and the room where the warm side of the unit will be placed.

The choice of cooling unit depends on the size of the room, so please contact us for further advice and guidance.

- Thermostat for both food and wine
- Temperature range 2-18°C
- Energy- and eco-friendly
- Digital display and LED lights
- Easy to clean, with maintenance alarm
- Can be connected to external lighting

### Models

Coolmaster CU900 ECO  
**Product code: 12600150**



### Technical data

Dimensions		Temperature		Miscellaneous	
External measurements (mm)	<b>W590 x D518 x H690</b>	Thermostat settings	<b>2-18 °C (standard 5 °C)</b>	Defrosting	<b>Automatic</b>
Wall recess (mm)	<b>W550 x H650</b>	Ambient temperature	<b>16-38 °C</b>	Water overflow system	<b>Connect hose to drainage hose</b>
Weight	<b>37.5 kg</b>	Energy		Insulation	<b>Polyurethane foam, non-CFC</b>
Power cable length	<b>2.6 m</b>	Maximum output	<b>Max. 800 W</b>	Coolant	<b>R290</b>
Maximum wall thickness	<b>230 mm</b>	Lighting	<b>LED 6.5 W</b>	Capacity	<b>Up to 20,000 litres</b>
Min. distance to cold side of the ceiling	<b>200 mm</b>	External lighting socket	<b>Max. 20 W LED</b>		
Min. distance to warm side of the ceiling/floor	<b>500 mm / 500 mm</b>	Volts/Hz	<b>220-240 V AC 50 Hz</b>		