



1. Handling of waste	53
2. Safety rules and warnings	53
3. Product information	54
4. Important information	55
5. Dimensions and technical specifications	55
6. Pre-installation	56
7. Installation	56
7.1. Removing front/drawer	58
7.2. Fitting front/drawer	58
7.3. Side adjustment	59
7.4. Height adjustment	66
7.5. Tilt adjustment	66
7.6. Fitting/removing internal shelves	66
8. Cleaning and maintenance	66
8.1. Setting temperature	61
8.2. Cleaning	61
9. Delivery Terms and Conditions	61
9.1. Consumer purchases	61
9.2. Business purchase	62

1. Handling of waste

Waste management of the packaging:

The packaging protects the product against damage during transport. All packaging may be recycled and is labelled for recycling. Make sure that all packaging are discarded in a safe manner and are stored out of reach of children since irresponsible use may be dangerous.

Ask the dealer or local authorities about where the packaging may be delivered for recycling.

Waste management of the product:

This product falls under EU Directive 2002/96/EC concerning waste from electrical and electronic equipment (WEEE). This symbol specifies that the product must not be treated as household waste. Valuable raw materials may be recovered by recycling used products. By ensuring that the product is recycled correctly, you can contribute to preventing potential negative consequences to the environment and human health.



When the product is to be discarded:

1. Pull out the mains plug.
2. Cut off the power cable.
3. Check that the cooling circuit is not damaged prior to waste management. Information in the coolant is specified on the type plate.
4. Products that are no longer in use must be handled in a professional and correct manner in accordance with local statutes and regulations.

2. Safety rules and warnings

THE MANUFACTURER OF THE PRODUCT CANNOT BE HELD RESPONSIBLE FOR DAMAGE THAT IS DUE TO THESE SAFETY RULES AND WARNINGS NOT BEING FOLLOWED.

1. Read the use and installation instructions carefully before you start using the product.
2. This product is intended for private use.
The manufacturer cannot be held responsible for damage in consequence of erroneous or unintended use of the product.
3. Persons, who due to their mental or physical conditions, or due to their inexperience or lack of knowledge, are not in a condition to operate the cabinet in a safe manner, must not use this cabinet without supervision or guidance from a responsible person.
4. The product is not a toy! Due to the risk of injury, you must not let children play with or in the vicinity of the product or play with the buttons. Nor should children be allowed to climb on the product or swing on the door. Have small children under supervision while you are using the product. Older children may only use the product if it has been explained to them how they can use it safely and are familiar with the dangers of erroneous use.
5. Check that the product does not have any visible damage. Do not install or use a damaged product. Contact the supplier immediately for further advice before you install/connect up the power cord.
6. The product contains the coolant Isobutane (R600a), a natural gas that is environmentally friendly. (R600a), that no parts of the cooling system have been damaged during transport or installation. Leaking coolant can injure the eyes. If the product has been damaged:
 - a. Avoid open flames and everything that can create sparks.
 - b. Disconnect the power cord.
 - c. Air out the room where the product is located, for several minutes.
 - d. Contact the supplier for further advice.



The more coolant a product contains, the larger the room it should be placed in. Leaking coolant can form a flammable gas-air mixture in a room that is too small.

According to the EN378 standard, the room must have at least 1 m³ for each 8 g of coolant. The quantity of coolant in the device is specified on the type plate on the inside of the product.

7. Before you connect up the power cord, you must check that the information on the type plate (voltage and connected load) accord with the power grid. This information must match up in order to avoid risks of damage to the product. Contact a qualified electrician if you have doubts.

2. Safety rules and warnings

54

- 8.** Guarantees for the product's electrical safety may only be given when there is an uninterrupted connection between the product and an effective grounding system that complies with the applicable local and national regulations. It is extremely important that this fundamental safety requirement be fulfilled and checked regularly. In the event of any doubts, the wiring network in the house must be checked by a qualified electrician. The manufacturer cannot be held responsible for product damage or personal injuries that are due to a deficient or insufficient grounding system, such as electrical shocks for example.
- 9.** If the wiring is damaged or other repairs are necessary, then the work may only be performed by an approved service technician such that the user is not exposed to any dangers.
- 10.** A guarantee is made only for the product being safe to use if it has been installed and connected up in accordance with these use and installation instructions.
- 11.** Installation, maintenance and repairs must only be performed by an authorised repairman in accordance with national and local safety regulations. Repairs and other work by unqualified personnel may be dangerous and the manufacturer will not be held responsible. The power cord must not be connected to the power grid before maintenance or repairs have been performed.
- 12.** The product is only completely disconnected from the power supply when:
 - a. the mains plug has been pulled out
 - b. The fuse in the house installation is completely disconnected
 - c. The screw fuse has been removed (in countries where this is relevant)
- 13.** Do not connect the product to the power grid with an extension cord. Extension cords do not provide satisfactory safety for the product (involve for example a danger of overheating).
- 14.** Do not store explosive substances or products that contain propellants (for example aerosols) in the product. Thermostats that are activated can emit sparks and pose a fire hazard. Flammable substances may explode.
- 15.** Do not use electrical equipment in this product. Danger of sparks and explosion.
- 16.** Do not use oil or grease on the door seal, because oil and grease can damage the seal and gradually make it porous.
- 17.** Do not block the valve openings, because it will make the product less effective, increase its power consumption and the product may be damaged.
- 18.** The product is intended for use within definite climate classes (ambient temperature) and ought not to be used outside such limits. The climate class is specified on the type plate on the inside of the product and in chapter 6.
- 19.** Do not use a steam cleaner to clean the product. Steam can penetrate between the electronic components and cause short-circuits.

3. Product information

Cave 55 is a wine serving drawer, with two external and three internal drawers. The module has a capacity of approx. 55 bottles and is usually sold for private use.

The drawer has a smoked glass front and LED lighting. This protects the wine against harmful UV rays which can reduce its shelf life. Whether the lights come on when a drawer is opened or are on permanently is selectable. The light switch is inside on the right.

The module has variable temperature adjustment between 8 and 12 °C on the bottom shelf. White wine is stored in the upper drawer, and red wine in the lowest.

The shelves are designed to be able to place bottles longitudinally or latitudinally. You can choose whichever is best for your collection to make use of the drawer volume in the best possible way.

There are two extractable shelves in the bottom drawer which can be removed to create extra space for magnum bottles or cartons.

The drawer is integrated between two kitchen modules, and requires a space of 800 mm. This product is not designed for commercial use.

Cave 55 won the Award for Design Excellence 2008, from the Norwegian Design Council.

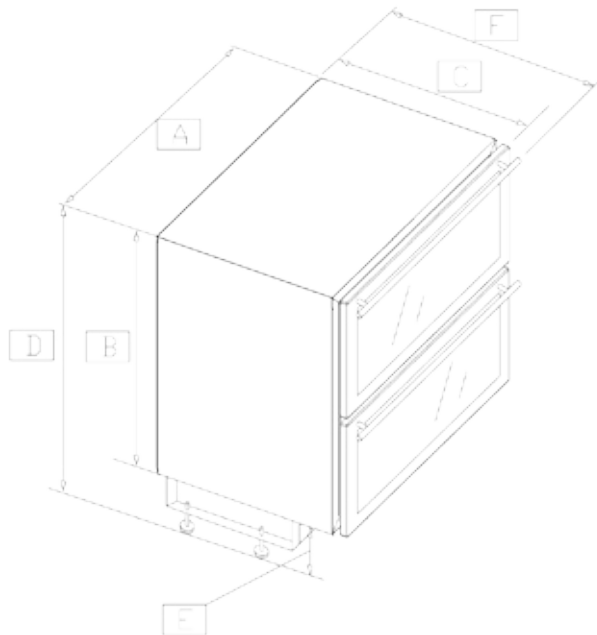
4. Important information

To ensure correct installation and use and thus maximise product lifetime, please read these instructions carefully before starting installation. The manufacturer cannot be held liable for damage caused through failure to follow the instructions. The product will require maintenance even in normal use and replacement of parts which are worn out can be necessary. These are not covered during the warranty period, but are covered by the guarantee in accordance with the Sale of Goods Act.

Data plate with serial number is located inside on the lower left hand side. Please quote this number when contacting service contractor or manufacturer.

Scandinavian Appliances AS disclaims all liability for typographical errors in these instructions and reserves the right to alter the product specifications.

5. Dimensions and technical specifications



A 795mm
B 700mm
C 565mm
D Min 820 - Max 870mm
E Min 120mm - Max 170mm
F 595mm

Exterior dimensions	B 795 x H 820-870 x D 565 mm
Niche dimensions	B 800x H 820 (min) x D 565
Usable volume	170 litres
Kjølesone	To avskilte temperatursoner
Temperature range	8-12 degrees down and 15-18 degrees up
Volt/Hz	220 - 240 V AC 50 Hz
Climate class	ST
Energy class	B
Energy consumption	186 kWh/år
Noise level	43,7 db
Light	LED lys, hvit farget
Defrosting	Automatic
Insulation	Polyuretanskum CFC - fri
Coolant	R134A

Weight	83 kg
Max. load shelves	Ca 20 kg
Drawers	2 store med 3 innvendige skuffer
Dørglass	Sotet med UV beskyttelse
Cable length	2,4 m
Compressor	Compressor cooling

Climate class	Ambient/room temperature
SN	+10 °C to +32 °C
N	+16 °C to +32 °C
ST	+16 °C to +38 °C
T	+16 °C to +43 °C
SN - ST	+10 °C to +38 °C
SN - T	+10 °C to +43 °C

Climate Range:

According to climate specifications, this product should be operated at TEMPERATE (N) climate class, meaning between +16 to 32°C ambient temperature range.

Light:

When the door is opened, the light is switched on automatically. The light will be switched off automatically when the door is closed.

Defrosting:

Defrosting occurs automatically.

6. Pre-installation

56

Check for transport damage after unpacking. Do not use a damaged cabinet. In the event of damage, please contact the shipping company and make sure that the damage is noted on the consignment note. Check that you have all the parts on the parts list at the back of this guide. Contact your vendor in the event of damage or missing parts.

The appliance must be connected to a 220V - 240V 50 Hz earthed electrical power supply with at least a 10A fuse. We recommend placing the socket next to the product, for example in an adjoining unit.

This product is designed to be installed under a worktop, which must be fastened to the kitchen fittings and/or wall to ensure that it does not tip forward when drawers are pulled out. This product cannot be used as a free-standing unit.

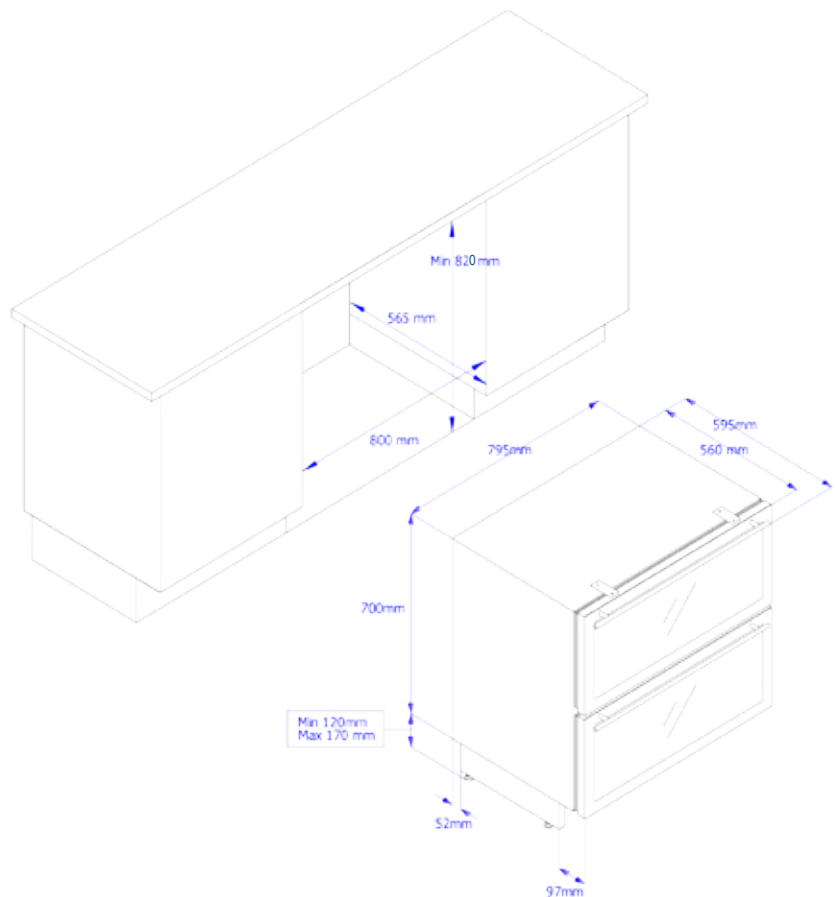
7. Installation

The drawer fridge requires a space of 800mm. See fig. 2.

Adjust the back levelling legs so that the back edge of the drawer fridge just clears the underside of the worktop. Extract retaining brackets See fig. 3.

Carefully slide the product into position and adjust the front legs so that the front edge squeezes firmly against the underside of the worktop. Fasten the appliance to the worktop using two screws.

Space measurement **Fig. 2**



Securing product to worktop.

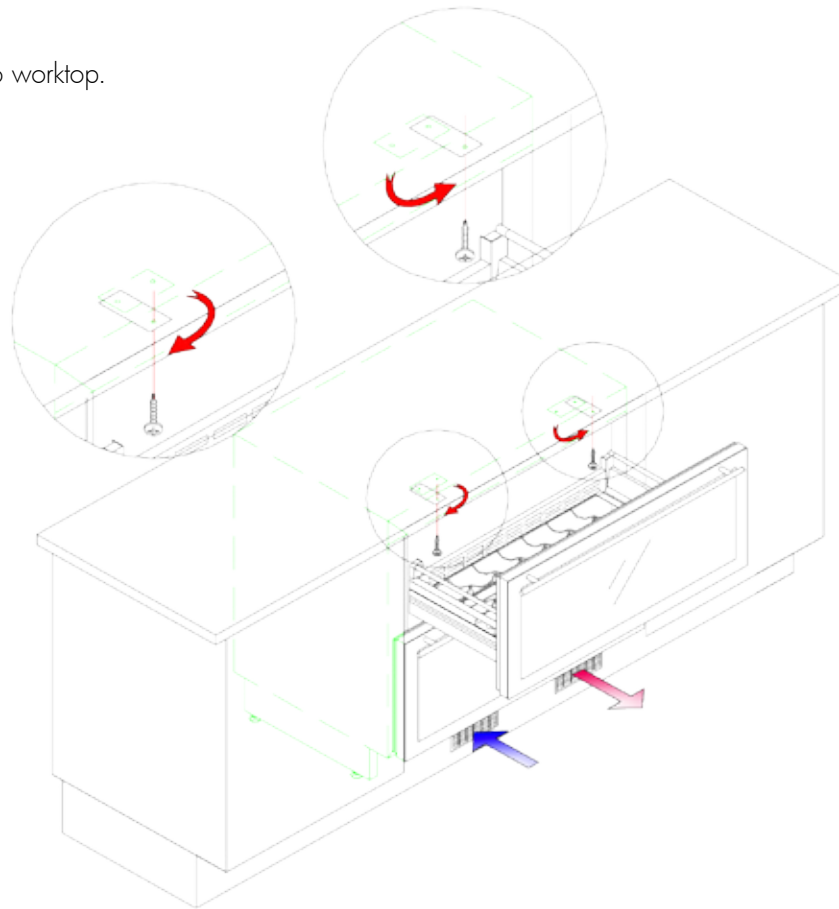


Fig. 3

The liquid inside the appliance must have time to settle after transportation and a minimum stabilisation period of three hours is recommended prior to switching on the appliance.

The two enclosed ventilation grids are to be installed in the base in accordance with fig. 4. To ensure the correct functioning of the appliance, these grilles must not be covered. **NOTE: Remember to use the black plastic sleeves between handle and front!** Apply moderate torque when screwing in these screws.

NOTE: Front/decorative base not included

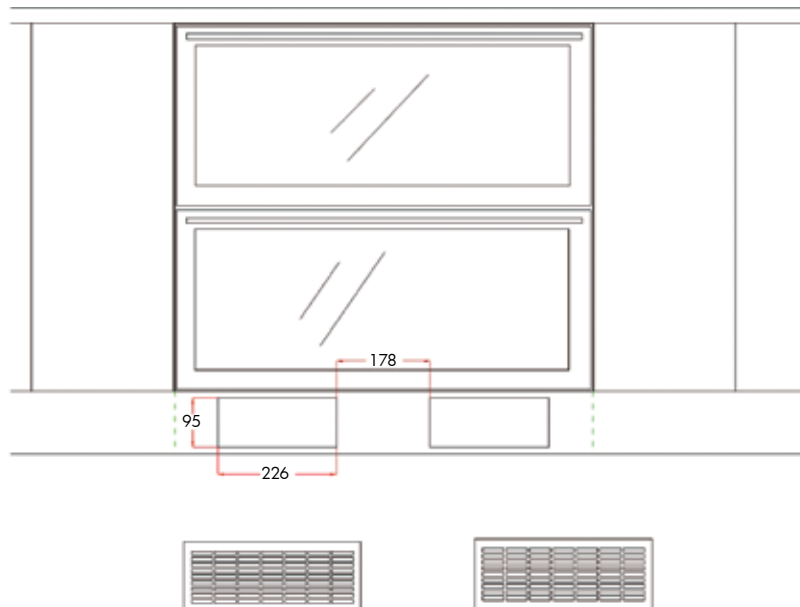
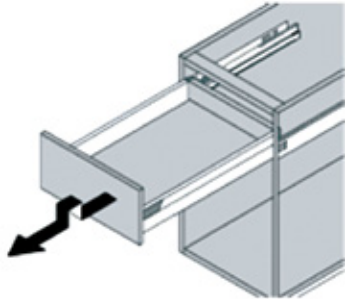


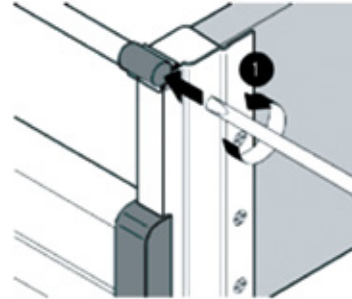
Fig. 4

7. Installation

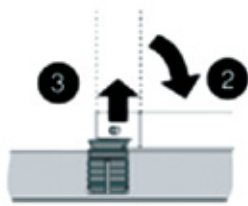
7.1. Removing front/drawer



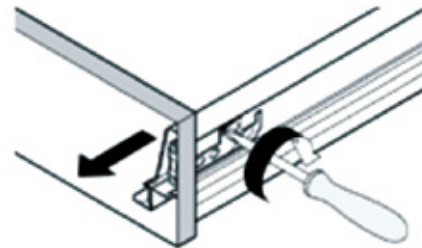
Lift the front edge – push gently down – pull the drawer out.



Turn the screwdriver left to remove the rod as shown on the drawing.

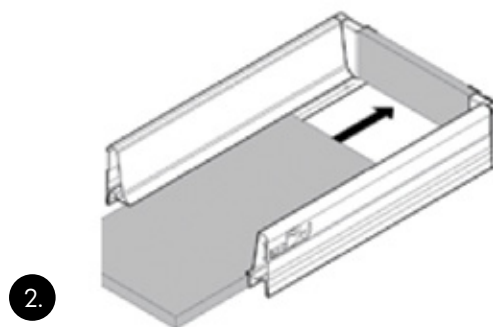
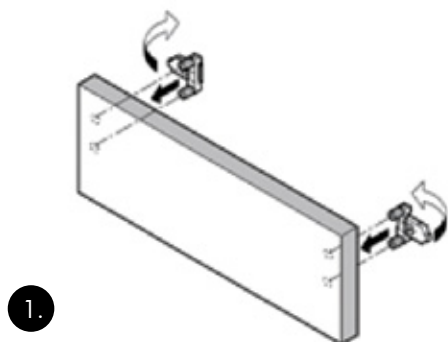


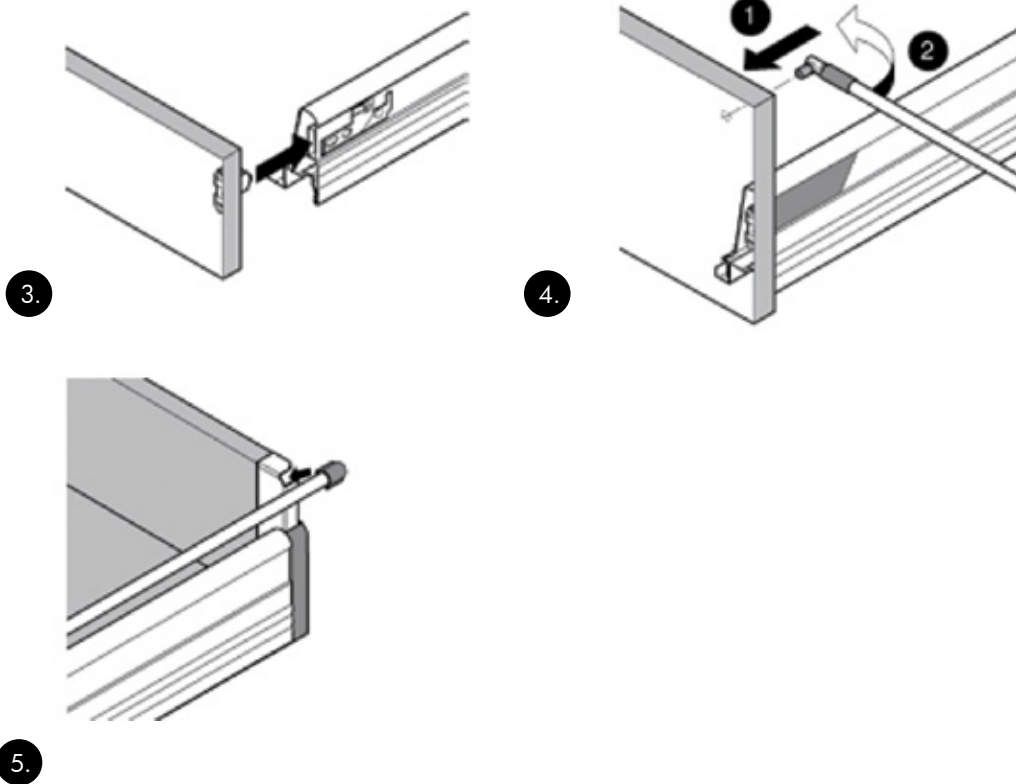
Pull back the cover and bend the rod as shown on the drawing. Pull out the front fastening.



Remove the front by turning the releasing mechanism to the right using a Phillips screwdriver. The shelf in the drawer can now be pulled out.

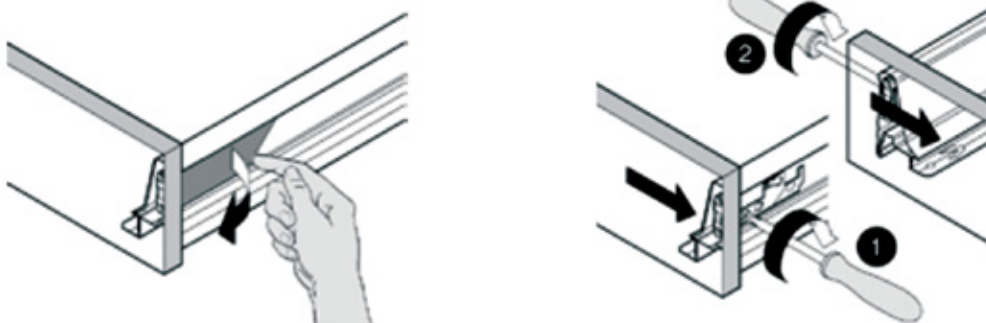
7.2. Fitting front/drawer





When inserting drawers: Place back edge of drawer on rails mounted in cabinet. Hold drawer horizontal and push inwards until it locks into place. Carefully pull drawer out to check it is locked. Repeat if necessary.

7.3. Side adjustment



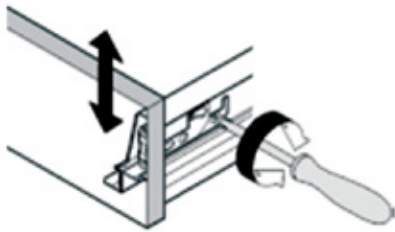
Remove the covering on the side of the drawer.

The front of the drawer is adjusted laterally right/left. A turn to the left will move the drawer 1 mm to the left. Adjust both sides of drawer if necessary.

7. Installation

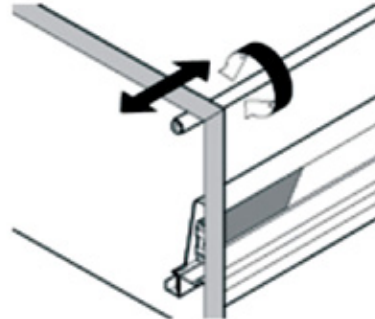
60

7.4. Height adjustment



Høyden kan justeres +/- 2 mm.

7.5. Tilt adjustment



Ved vertikal justering, påse at magnetlister tetter tilfredsstillende.

7.6. Fitting/removing internal shelves

The internal shelves are attached by Velcro on their rails. To remove, pull shelf out completely, pull front up and towards you.

When replacing, pull both rails out as far as they will go. Check that the tabs at the back of each rail are engaged with the runners on the shelf. Push rails all the way before placing shelf on front edge. This is to ensure shelf is straight.

8. Cleaning and maintenance

The Cave 55 operates immediately when the power is connected. The cabinet is designed with a differentiated temperature; i.e. there is a continuous temperature gradient between the top and bottom (coldest) shelves.

If necessary, the temperature can be adjusted using the thermostat at the bottom right corner of the unit. The lower display shows the temperature on the bottom shelf. The upper display shows the temperature on the top shelf. The temperature setting refers to the bottom shelf. The temperature on the top shelf will be about 5 degrees higher.

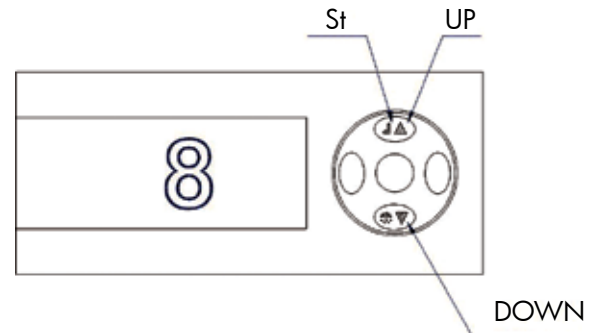
Every drawer is equipped with shock absorption for easy-glide and cushioned closure. The selfclosing mechanism ensures that the drawer is closed at all times, removing the problem of open drawers.

NOTE: The closing mechanism is activated 30 mm from closed position, and does not work when the drawer is pulled further out.

8. Cleaning and maintenance

8.1. Setting temperature

1. Press in and hold the Set button until the display begins to blink.
2. Press the up or down arrows to adjust the temperature up or down.
3. Press the Set button to store the setting. The display will show the current temperature, not the stored temperature.



8.2. Cleaning

Use a damp cloth and soap to clean the cabinet. Do not use abrasive and/or corrosive detergents.

NOTE: The drawer runners must not be cleaned/lubricated/oiled. Wipe with a damp cloth in case of spills.

If extensive cleaning is necessary, the drawers can be removed/replaced.

9. Delivery Terms and Conditions

Delivery terms and conditions for Norway. For other countries, contact your dealer.

9.1. Consumer purchases

These terms and conditions govern customer rights with respect to the supplier (Norcool) when purchasing new Norcool products that will be used in a normal manner in private housekeeping. Such as is determined in the following points, the supplier is obligated to remedy defects/omissions that arise.

1. Supplier's warranty

The supplier warrants that the product as it is delivered has the characteristics and the quality that has been prescribed in the supplier's brochures or other written sales material. Minor deviations may occur in consequence of product changes. The warranty period runs for 2 years commencing on the day the product was delivered to the customer. Due to these devices having a complicated technical design, it is important that the customers follow the instructions for use carefully. The products will even with normal use be subjected to wear that may necessitate preventive maintenance, and thereby also replacement of wearing components (fans, starting equipment, compressor component with a variable lifespan depending upon their use and maintenance).

2. Purchaser's rights

The deadline for making claims with consumer purchases is 2 years. When the equipment or parts of it is intended to last significantly longer in normal use, the deadline for claims is 5 years. For such claims, it is a precondition for the liability for the deficiency to be valid that the deficiency was present at the point in time of delivery. Customers will in all instances lose their right to pursue claims if they do not make a claim within a reasonable period of time after they have detected, or ought to have detected, the deficiency. In the event of deficiencies related to purchasing law, the supplier has the right to repair the product with the deadlines that follow from the Sale of Goods Act. After the warranty period has expired, the terms and conditions for the scope of the supplier's liability for deficiencies in the equipment will be governed by the Sale of Goods Act.

9. Delivery Terms and Conditions

62

3. Supplier's remediation (Transport of products).

The supplier and/or dealer in the supplier's products may decide whether defects/omissions may be repaired at the customer site, at its own site, or at a designated workshop in accordance with the following guidelines.

a) The customer is obligated to place the product at the disposition of the repair technician. The supplier will defray the expenses of the repairs. This applies for products that are located within the natural sales territory of the supplier or distributor! What is meant by natural sales territory is a distance between the supplier/dealer and customer by road of max. 20 km. If the distance is more than 20 km, and the dealer is the entity located closest to the customer, then the supplier will pay the travel costs regardless. If this would bring about unreasonable costs or drawbacks, then the obligation to undertake the remediation as mentioned above at no cost to the customer does not apply! Normally, this instance would be if the customer is unable to be reached by normal means of communication, and/or if the customer does not live where there is a connection to the mainland.

b) Repairs/Remediation at the workshop. If customers can bring in and fetch the product without significant drawbacks, then they must bring it in to the designated workshop for repairs, or ship the product, in such case at their own expense and risk. If customers are unable to bring the product in to a specified workshop without unreasonable drawbacks and/or costs, then such in the lack of any other agreement occur in the most reasonable manner, and be sent at the supplier's expense and risk to the specified workshop.

NOTE: THE PRODUCT MUST BE PROPERLY PACKAGED!

4. Supplier's liability to pay compensation

Customers may under more detailed terms and conditions demand compensation for financial losses pursuant to the rules of the Sale of Goods Act. The Supplier is however in no instance liable for indirect losses (as mentioned in the Sale of Goods Act, section 67(2)). If damage is inflicted on objects that have a direct or close interrelationship with the product's stipulated function or use, then the supplier is only liable to the extent such are consequences of rules of law that cannot be deviated from. The same applies for liability for personal injuries. Damages and injuries of this nature shall in every instance be handled between the supplier and customer.

5. What the supplier's liability does not encompass

Customers have no ability to pursue claims against the supplier or dealer if defects/omissions, or any possible damages/injuries, are a consequence of:

- a) Installation that has not been performed in accordance with the electric utility's provisions or is in violation of our installation instructions that are to be deemed to be requirements. The cold room must in terms of its technical construction satisfy the applicable requirements, including requirements for insulation, choice of materials and ventilation.
- b) Actions in violation of the instructions for use, or other indefensible actions. (Lack of maintenance!)
- c) Repairs or interventions performed by unauthorised persons, or use of nonoriginal parts.
- d) Accidents or other circumstances after delivery to the customer that lie outside the control of the supplier/dealer, including voltage fluctuations beyond +/- 10 % of the rated voltage, lightning strikes, and electrical power outages.
- e) Corrosion/deposits due to the surroundings.
- f) Normal wear. (See point 1)

6. Disputes

Disputes that concern the application of these terms and conditions may, via the consumer council's complaints mechanism, be brought in for resolution by the industry's complaints tribunal.

9.2. Business purchase

What is to be understood by business purchase is everything that is not a consumer purchase and which is used for example in cafes, restaurants, snack bars, hotels, motels, companies, or other business-related activity. As well as use in schools, institutions, rented rooms, preschools, athletics facilities, shared households, and housing cooperatives, plus instances where the customer in full or in part receives payment for use of the device, or where it is included in a shared house, possibly a leasing relationship. Or where the device is used to maintain a good that the customer sells. All these things are business purchases. The period for filing claims and the warranty period is then 6 months. This applies for any losses that the deficiency might cause, for example such as operating losses, lost earnings and other consequential financial losses. This limitation to the supplier's liability does not apply if it is guilty of acting with gross negligence.