

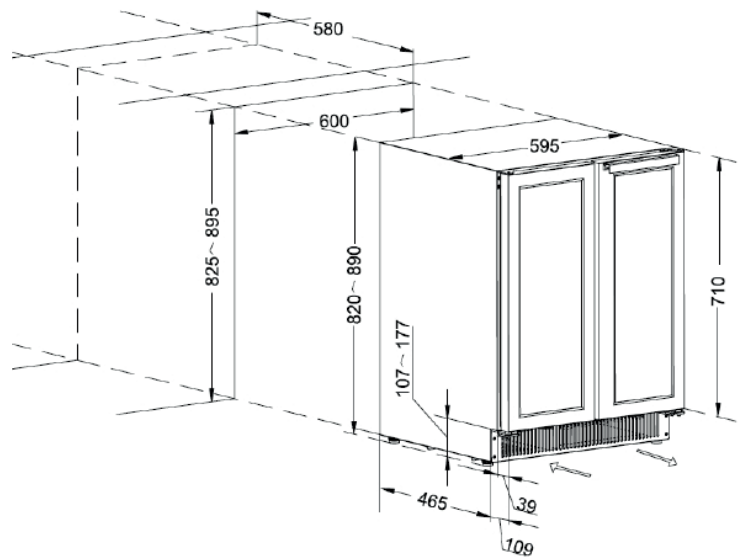
Product benefits

- Spacious, and fits neatly under the kitchen worktop
- Easy to integrate into your kitchen layout
- Two independent temperature zones, 4-22°C
- Double doors, LED lights and digital display
- Elegant design with smoked, hardened glass featuring UV protection
- Recessed plinth and adjustable feet
- Practical wooden racks that slide out smoothly

Model

Cave 60 BU DZ D

Product Code: 12700065



Technical Data

Dimensions		Temperature		Shelves	
External measurements (mm)	W 595 x H 820 - 880 x D 575	Number of cooling zones	2 independent temp. zones	Number of shelves	11
Niche measurements (mm)	W 600 x H 820 (min.) x D 580	Temperature	4-22°C in left-hand zone and 4-22°C in right-hand zone	Doors	
Weight	48 kg	Energy		Door hinging	Double doors
Capacity	Approx. 42 standard 75 cl bottles	Consumption (kWh/year)	175	Door glass	Hardened safety glass with UV protection
For building in	Yes	Energy class	G	Ventilation	
		Lighting	LED 1 W x 2	Requires ventilation	Ventilation grille in plinth