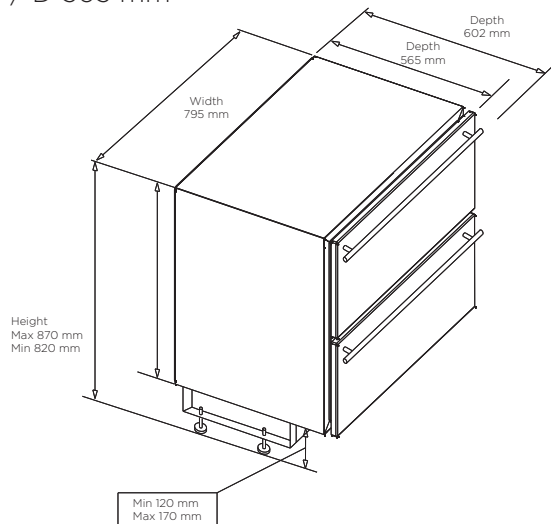


Product benefits

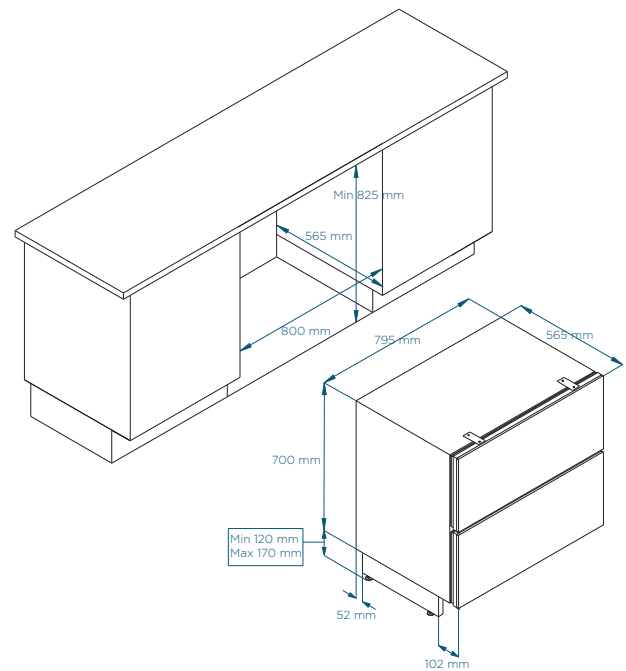
- The ideal solution for the modern kitchen – suitable for integrating into most kitchens
- Refrigeration solution below the worktop – frees up space on the worktop and facilitates access to refrigerated foods
- Maintains the neat, low lines in the kitchen
- Ideal solution for wheelchair users, too
- 2-8 °C temperature range
- 2 large drawers + 1 cold cut drawer
- Completely maintenance-free with automatic defrosting
- Niche measurements: W 800/ H 825 (min.) / D 565 mm



Refrigerated drawer with steel front

Models

- 1 Refrigerated drawer for fitting furniture front
Product Code: 60000004
- 2 Refrigerated drawer with steel front
Product Code: 60000005



Refrigerated drawer for fitting furniture front.
Recommended measurements for the furniture fronts to be fitted:
Width: 795 mm Height: 341-347 mm

Technical Data

Dimensions		Temperature		Drawers	
External measurements (mm)	W 795 x H 820-870 x D 565	Temperature range	2-8 °C	Number of drawers	2+1
Niche measurements (mm)	W 800 x D 565 x H 825 (min.)	Ambient temperature	16-38 °C	2 large drawers (external) and 1 smaller one (internal)	
Weight (kg)	71-73	Energy		Front panels for drawer	
Net volume (litres)	104	Consumption (kWh/year)	103	Furniture front or steel front	
For integrating	Yes	Energy class	E	Ventilation	
		Lighting	No	Requires ventilation	Yes, see user manual