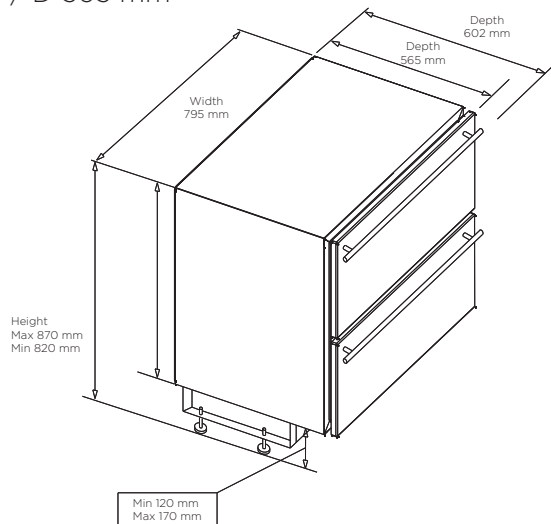


### Product benefits

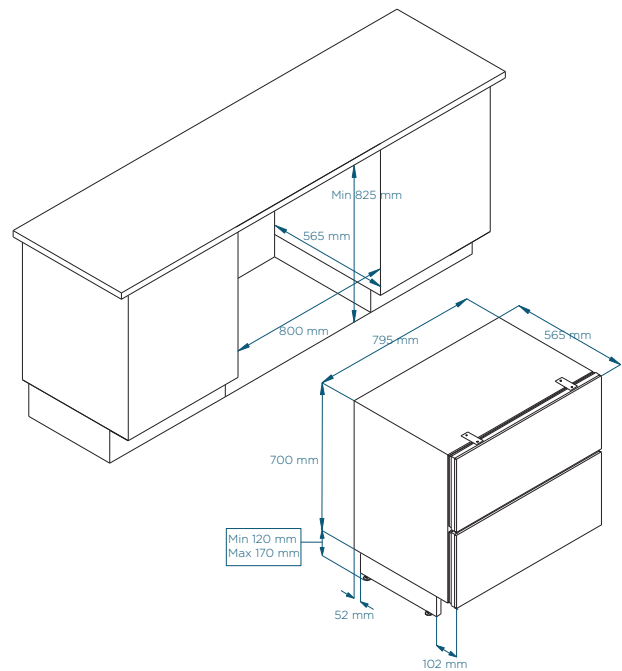
- The ideal solution for the modern kitchen – suitable for integrating into most kitchens
- Refrigeration solution below the worktop – frees up space on the worktop and facilitates access to refrigerated foods
- Maintains the neat, low lines in the kitchen
- Ideal solution for wheelchair users, too
- 2-8 °C temperature range
- 2 large drawers + 1 cold cut drawer
- Completely maintenance-free with automatic defrosting
- Niche measurements: W 800/ H 825 (min.) / D 565 mm



Drawer fridge with steel front

### Models

- 1 Drawer fridge for fitting furniture front  
**Product Code: 60000004**
- 2 Drawer fridge with steel front  
**Product Code: 60000005**



Drawer fridge for fitting furniture front.  
Recommended measurements for the furniture fronts to be fitted:  
Width: 795 mm Height: 341-347 mm

### Technical Data

Dimensions		Temperature		Drawers	
External measurements (mm)	<b>W 795 x H 820-870 x D 565</b>	Temperature range	<b>2-8 °C</b>	Number of drawers	<b>2+1</b>
Niche measurements (mm)	<b>W 800 x D 565 x H 825 (min.)</b>	Ambient temperature	<b>16-38 °C</b>	2 large drawers (external) and 1 smaller one (internal)	
Weight (kg)	<b>71-73</b>	Energy		Front panels for drawer	
Net volume (litres)	<b>104</b>	Consumption (kWh/year)	<b>103</b>	Furniture front or steel front	
For integrating	<b>Yes</b>	Energy class	<b>E</b>	Ventilation	
		Lighting	<b>No</b>	Requires ventilation	<b>Yes, see user manual</b>