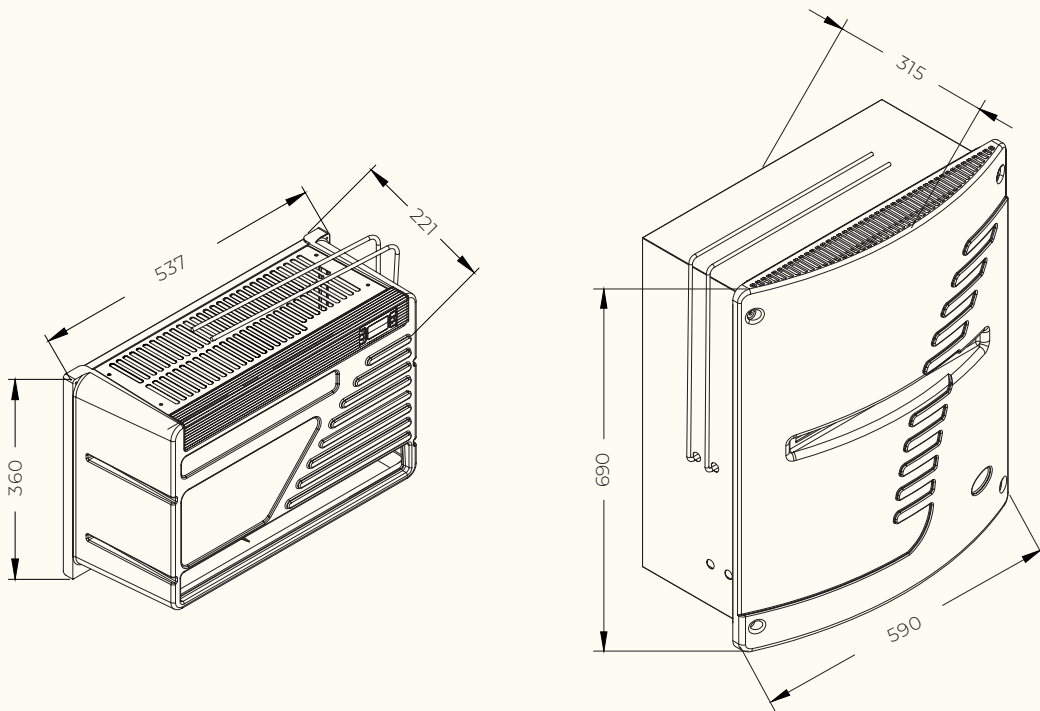


PRODUCT ADVANTAGES

- Energy-efficient
- Easy to maintain
- Digital display
- Thermostat suitable for both food and wine
- Can connect to external lamp

Model	Item number
CU-450 Split ECO	12600100



TECHNICAL DATA

Dimensions		Temperature	
External dimensions	Warm part: W590 x H690 x D315 mm Cold part: W537 x H360 x D221 mm	Temperature range	2-18 °C
Weight	Warm part: 27 kg Cold part: 8,5 kg	Ambient temperature	16-38 °C
Capacity	Up to 10.000 liters	Defrosting	Automatic
Max. pipe run	10 m	Energy	
Power cable	2,6 meters	Max output	500 W
Noise		Lighting	LED 6,5 W
Noise level	55 dB	Miscellaneous	
		Water overflow	Must be connected to a drain for extra safety
		Refrigerant	R290